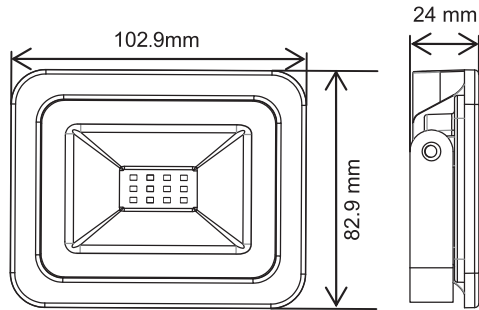




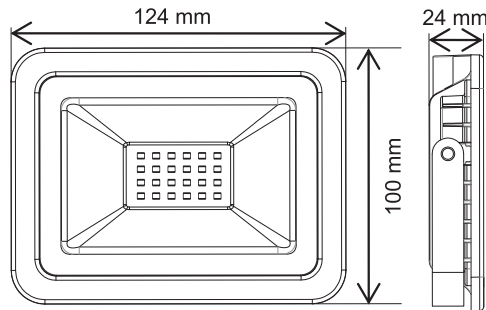
FLOOD/LED/10W/4K

Power: 10W
 Voltage: AC200-240V 50/60Hz
 Material: Alu.Body + Glass Cover
 Size: 102.9*82.9*24mm
 Beam Angle: > 120°
 CCT: 4000K



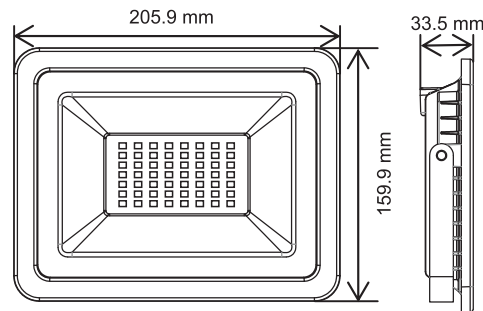
FLOOD/LED/20W/4K

Power: 20W
 Voltage: AC200-240V 50/60Hz
 Material: Alu.Body + Glass Cover
 Size: 124*100*24mm
 Beam Angle: > 120°
 CCT: 4000K



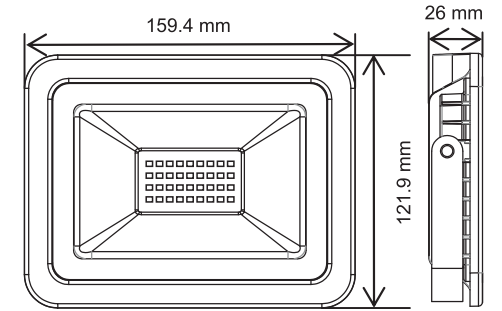
FLOOD/LED/30W/4K

Power: 30W
 Voltage: AC200-240V 50/60Hz
 Material: Alu.Body + Glass Cover
 Size: 159.4*121.9*26mm
 Beam Angle: > 120°
 CCT: 4000K



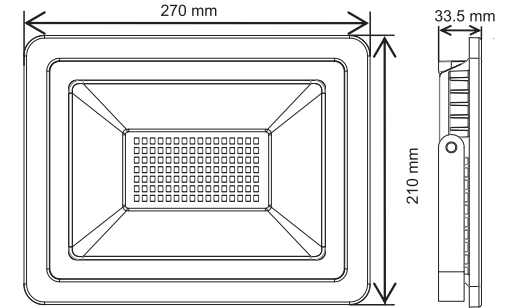
FLOOD/LED/50W/4K

Power: 50W
 Voltage: AC200-240V 50/60Hz
 Material: Alu.Body + Glass Cover
 Size: 205.9*159.9*33.5mm
 Beam Angle: > 120°
 CCT: 4000K



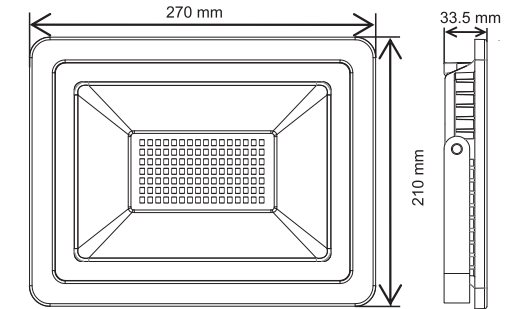
FLOOD/LED/80W/4K

Power: 80W
 Voltage: AC200-240V 50/60Hz
 Material: Alu.Body + Glass Cover
 Size: 270*210*33.5mm
 Beam Angle: > 120°
 CCT: 4000K



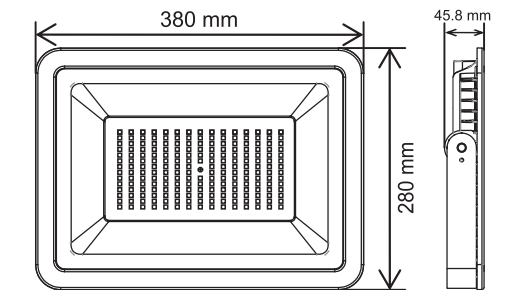
FLOOD/LED/100W/4K

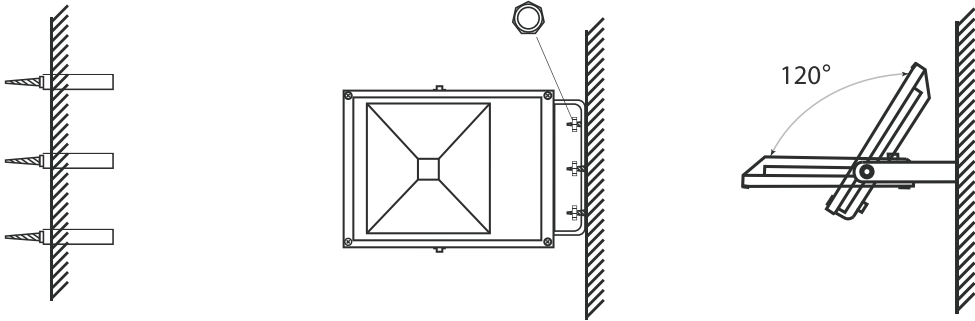
Power: 100W
 Voltage: AC200-240V 50/60Hz
 Material: Alu.Body + Glass Cover
 Size: 270*210*33.5mm
 Beam Angle: > 120°
 CCT: 4000K



FLOOD/LED/150W/4K

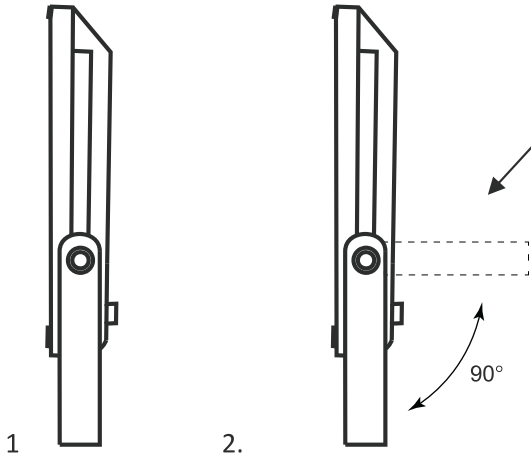
Power: 150W
 Voltage: AC200-240V 50/60Hz
 Material: Alu.Body + Glass Cover
 Size: 380*280*45.8mm
 Beam Angle: > 120°
 CCT: 4000K





Adjust to installation: .

As shown in figure,
unscrew this screw,
then adjust the angle
of support.



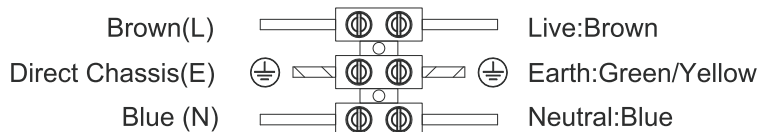
Connection details

Brown - Live

Blue - Neutral

Green/Yellow - Earth

Power Cord type : H05RN-F 3 x0.75mm²



Important User Advice

This Product is Class I and must be Earthed(Mounting heights (2,3-3,0m, <3m).

Always switch off mains supply before fitting.

Replace any broken or damaged glass as soon as possible.

Ensure all seals are intact and operational after fitting or maintenance.

Do not touch the lamp in use or just after use as there is a risk of being burnt.

Do not cover it Keep clear of flammable materials.

Do not wash the lamp.

This product has no user serviceable parts.

Clean with a damp cloth and dry with a lint free cloth or kitchen towel.

Important Information

It is recommend that luminaires installed and fitted by a qualified electrician ensuring the installation complies to the current building regulations.these products are designed for connection to a 200-240V~50/60Hz supply.

Any broken or damaged parts should be replaced as soon as possible.

We will not accept responsibility for any claims arising from incorrect installation.

Installation

Find a suitable location to install this product.

Use the mounting bracket to mark the hole centres for fixing.

Drill holes suitable to accept wall plugs.Insert wall plugs.

Terminate wiring.Pay particular attention to any markings for all covers.

Fit the floodlight to the mounting bracket with the screws,

Check seals,gaskets and cable gland operation before testing the luminaire.

Turn on power supply and test luminaire.